

WL-42RPBL4260 DC BRUSHLESS PLANETARY GEAR MOTOR

基本电压/Main Voltage : 6VDC、12VDC、24VDC

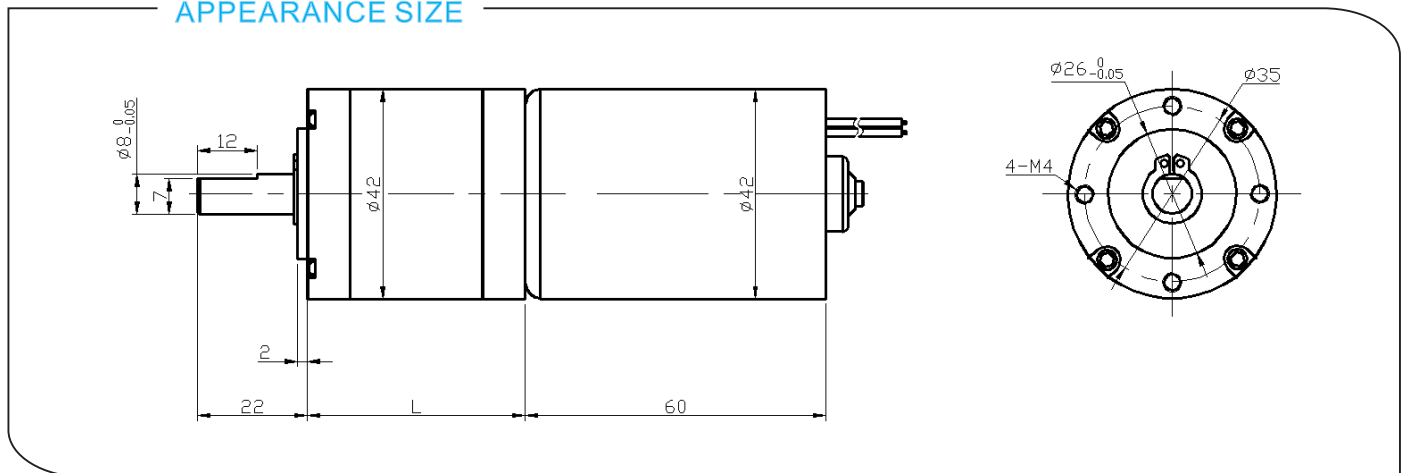
典型应用/Typical Applications :

光学仪器、监控摄像机、节能、节水设备、IC水卡、玩具和礼品、办公设备、家用电器、自动化设备。

Optical instrument, Surveillance cameras, Automated energy efficiency, Water saving equipment, IC water card, Toys and gifts, Office equipment, Household appliance, automation equipment



APPEARANCE SIZE



减速箱参数/Gearbox Data:

级数 Number of stages	1	2	3	4
减速比 Reduction ratio	3.7、5	13、18、25	49、67、92、125	181、246、336、458、625
减速箱长度 Gearbox length "L" mm	33.5	43.5	53.5	63.5
破坏扭矩 Breaking torque(kgf.cm)	15	25	50	90
减速箱效率 Gearbox efficiency	90%	81%	73%	65%

电机参数/Driving Motor Data:

电机型号 Motor model	额定电压 Rated Volt.	空载/No load		负载/Load				堵转/Stall	
		电流 Current	转速 Speed	电流 Current	转速 Speed	扭矩 Torque	输出功率 Output power	扭矩 Torque	电流 Current
		V	mA	r/min	mA	r/min	g.cm	W	g.cm
WL-BL4260-012-3000	12	≤270	3000	≤1450	2520	288	7.4	≥1440	≥4080
WL-BL4260-024-3500	24	≤330	3500	≤1530	2905	540	16.1	≥2550	≥3940

备注/Remark:

齿轮减速箱额定扭矩 = 电机额定扭矩 * 减速比 * 减速箱效率

Gear Motor Torque = Driving motor torque * Reduction ratio * Gearbox efficiency;

齿轮减速箱额定转速 = 电机额定转速 / 减速比

Gear Motor Speed = Driving motor speed / Reduction ratio

电机具体配置可根据客户的要求进行定制，像电压，速度，以及轴的长度和形状...

Motor detailed config can be customized according to customer's requests,

like voltage, speed, as well as shaft length and shape...

欢迎OEM或OWL项目

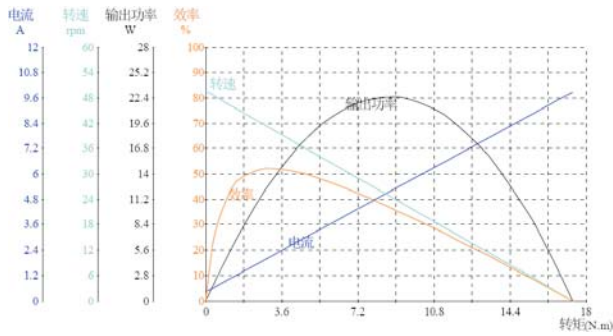
Welcome OEM or OWL projects

减速电机样品数据/Geared Motor Samples Data :

电机型号 Motor model	额定电压	空载/No load		负载/Load				堵转/Stall	
	Rated Volt.	电流 Current	转速 Speed	电流 Current	转速 Speed	扭矩 Torque	输出功率 Output power	扭矩 Torque	电流 Current
	V	A	r/min	A	r/min	kgf.cm	W	kgf.cm	A
DM-42RPBL42600126000-125K	12.0	0.44	49.5	2.00	41.3	29.4	12.47	177.0	9.87
DM-42RPBL426001210000-18K	12.0	0.64	535.4	2.89	424.1	5.0	22.02	24.0	11.46
DM-42RPBL42600243500-67K	24.0	0.13	51.9	0.62	43.4	15.1	6.74	92.0	3.10
DM-42RPBL42600246000-5K	24.0	0.28	1230.1	1.35	993.1	2.0	20.23	10.0	5.80
DM-42RPBL42600246000-49K	24.0	0.45	120.4	1.76	95.1	19.6	19.13	93.0	6.67

曲线图/Curve Chart :

Model: WL-42RPBL42600126000-125K



Model: WL-42RPBL42600243500-67K

