

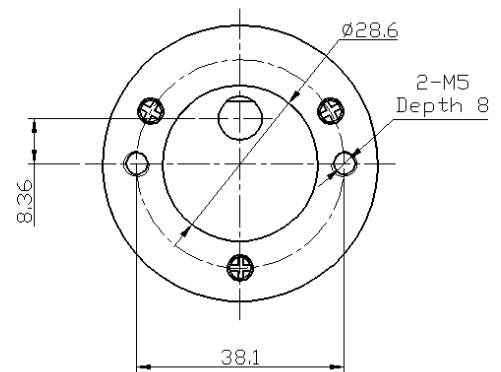
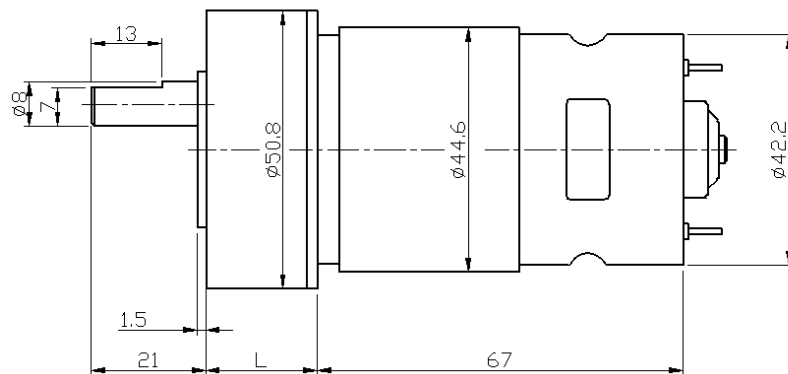
WL-50RS775 DC SPUR GEAR MOTOR

基本电压/Main voltage :12VDC、24VDC

典型应用/Typical applications :

仪器仪表、电动工具、咖啡机、自动售卖机、按摩器、游戏机、推窗器、自动化设备

Instrument, Electric tools, Coffee machine, Vending machine, Massager, Game machine, Electric window opener, Automation equipment



Gearbox Data :

Number of stages	2	3	4	5
Reduction ratio	9	21、25.5	50、60、72	118、141、170、205
Gearbox length "L"mm	20.4	24.9	29.4	33.9
Breaking torque(kgf.cm)	25	30	90	90
Gearbox efficiency	81%	72%	65%	59%

Driving Motor Data :

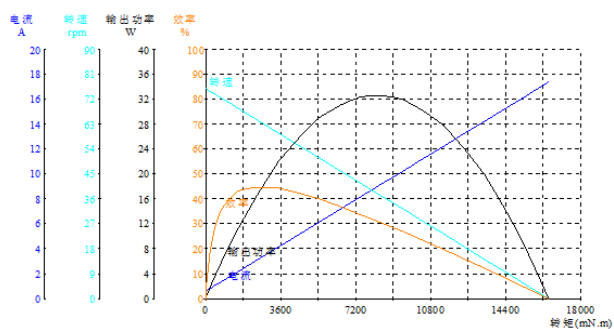
Motor model	Rated Volt.	No load		Load				Stall	
		Current	Speed	Current	Speed	Torque	Output power	Torque	Current
	V	mA	r/min	mA	r/min	gf.cm	W	gf.cm	mA
WL-775-012-3000	12	≤280	3000	≤1300	2600	450	12.0	≥3600	≥8600
WL-775-012-4500	12	≤450	4500	≤2100	3800	500	19.5	≥4600	≥16200
WL-775-012-6000	12	≤680	6000	≤3600	5200	600	32.0	≥5600	≥27200
WL-775-024-3000	24	≤120	3000	≤920	2200	500	11.3	≥2800	≥5100
WL-775-024-4500	24	≤230	4500	≤1400	3800	500	19.5	≥4100	≥11000
WL-775-024-6000	24	≤350	6000	≤2300	5100	600	31.4	≥5800	≥19000

Geared Motor Samples Data :

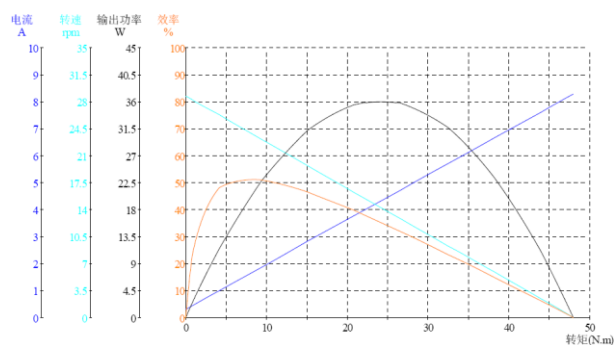
电机型号 Motor model	额定电压	空载/No load		负载/Load				堵转/Stall	
	Rated Volt.	电流 Current	转速 Speed	电流 Current	转速 Speed	扭矩 Torque	输出功率 Output power	扭矩 Torque	电流 Current
	V	A	r/min	A	r/min	kgf.cm	W	kgf.cm	A
WL-50RS7750126000-72K	12.0	0.59	75.9	3.49	62.8	29.0	18.76	167.0	17.36
WL-50RS7750245800-205K	24.0	0.31	28.7	1.55	24.3	76.3	19.00	490.0	8.27
WL-50RS7750246700-21K	24.0	0.39	315.4	2.83	273.0	13.2	37.00	98.2	18.52
WL-50RS7750247500-9K	24.0	0.60	871.1	3.13	741.2	5.4	40.83	36.0	17.55

Curve Chart :

Model: WL-50RS7750126000-72K



Model: WL-50RS7750245800-205K



Remark :

Gear Motor Torque=Driving motor torque*Reduction ratio*Gearbox efficiency;

Gear Motor Speed=Driving motor speed/Reduction ratio

Motor detailed config can be customized according to customer's requests, like voltage,speed,as well as shaft length and shape...

Welcome OEM or OWL projects